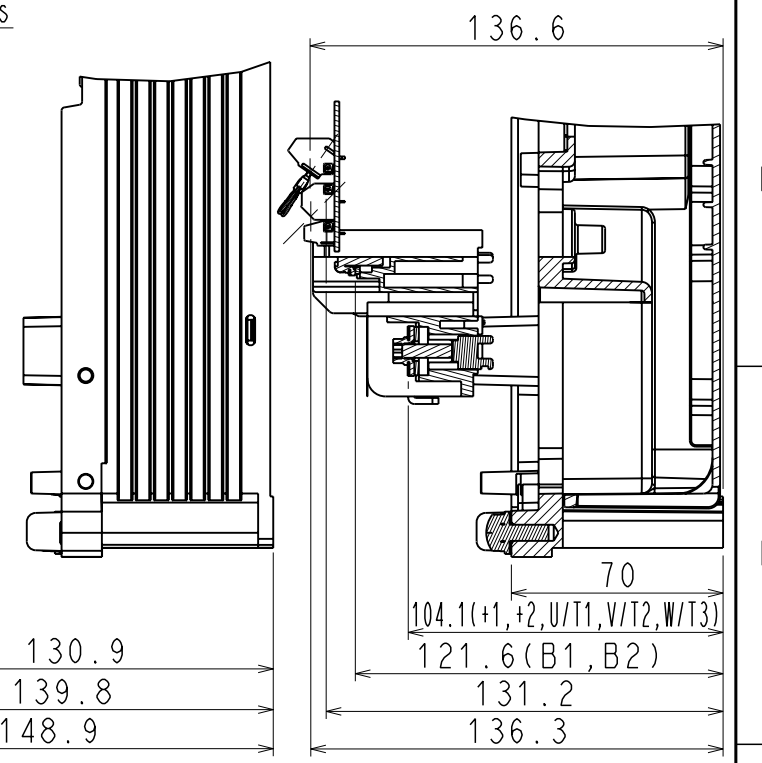
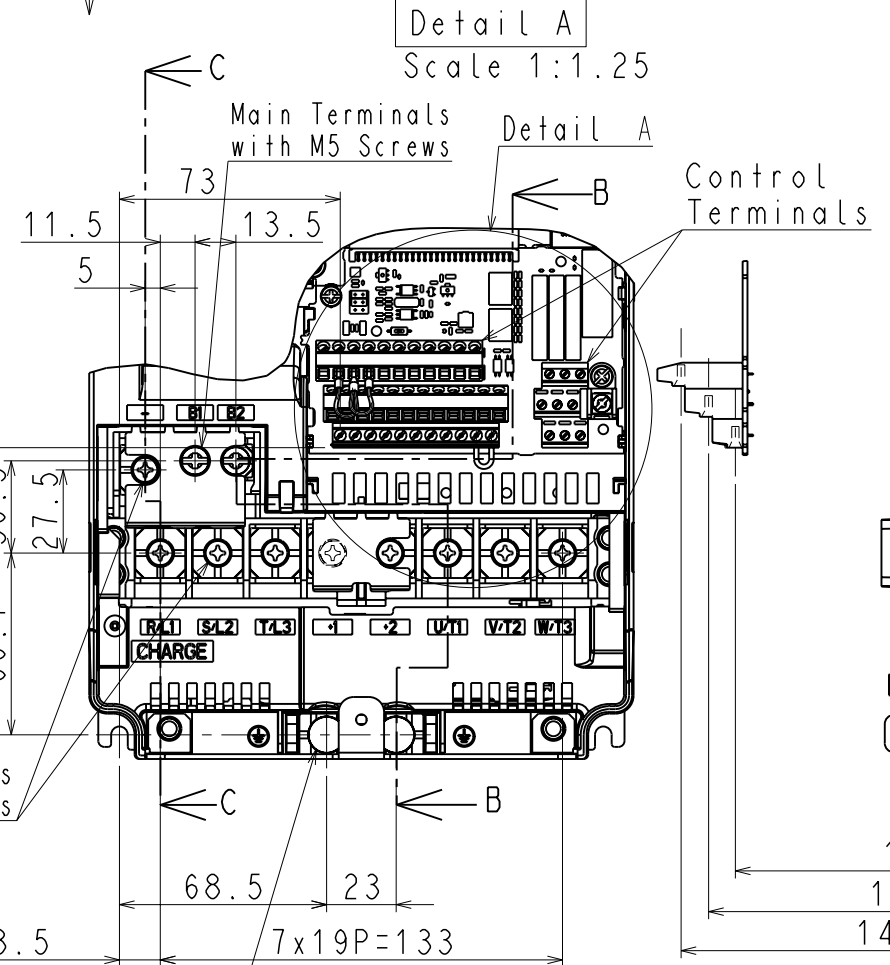
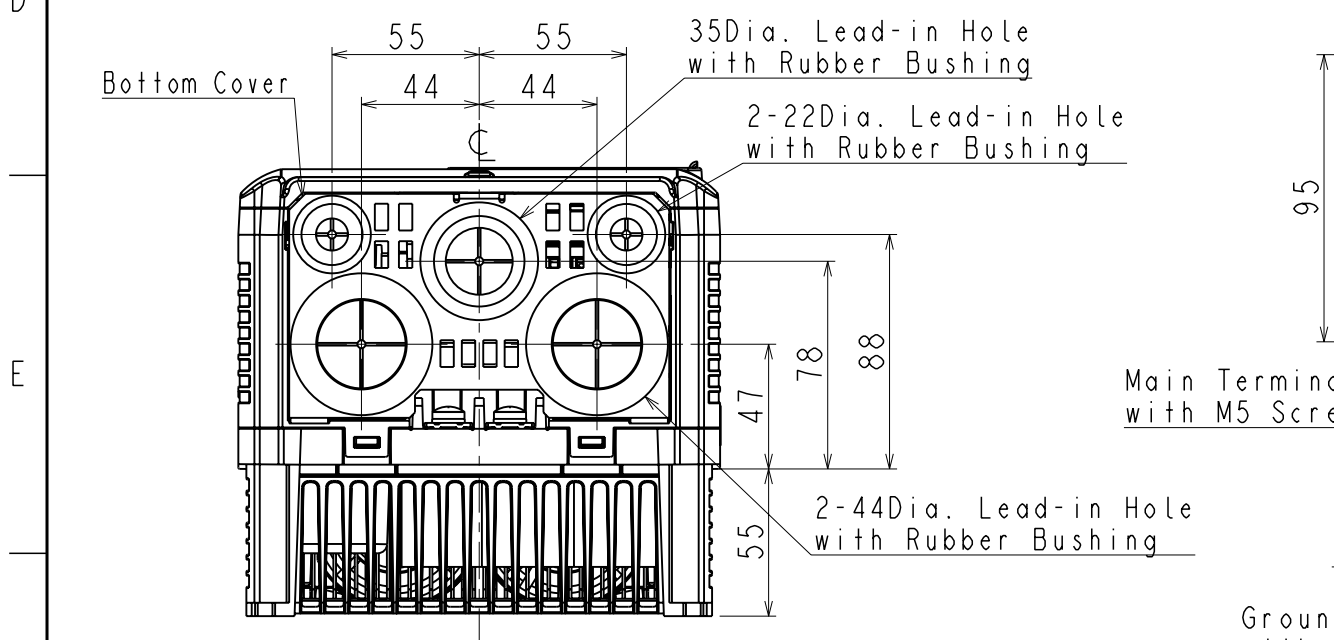
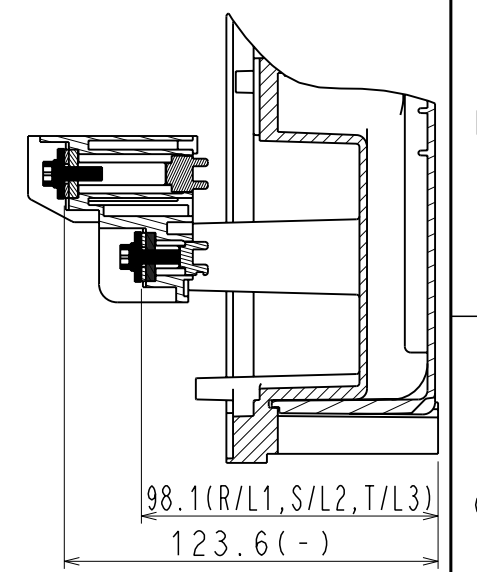
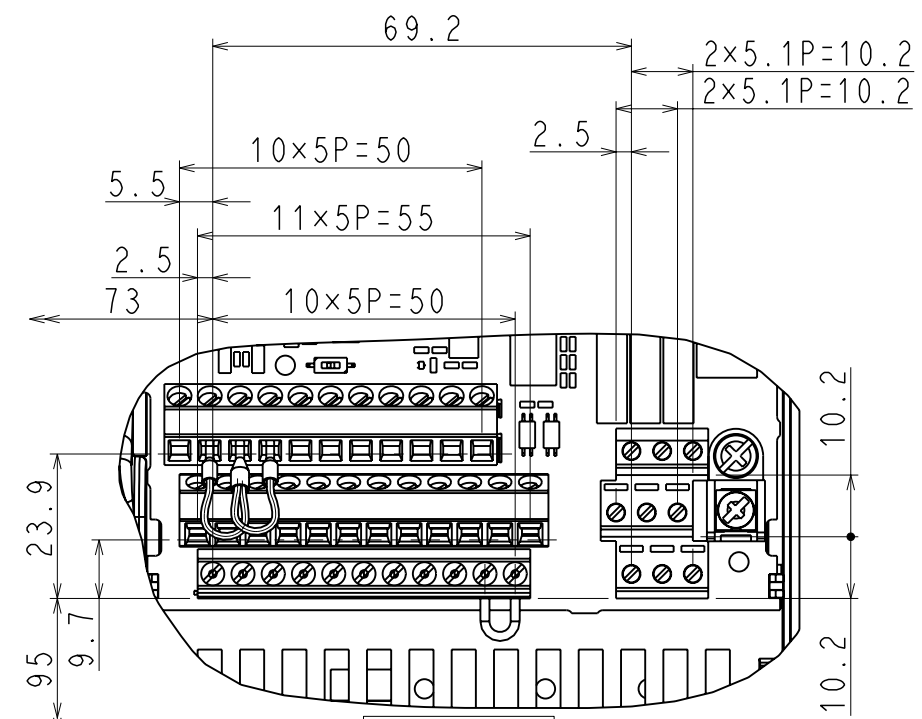
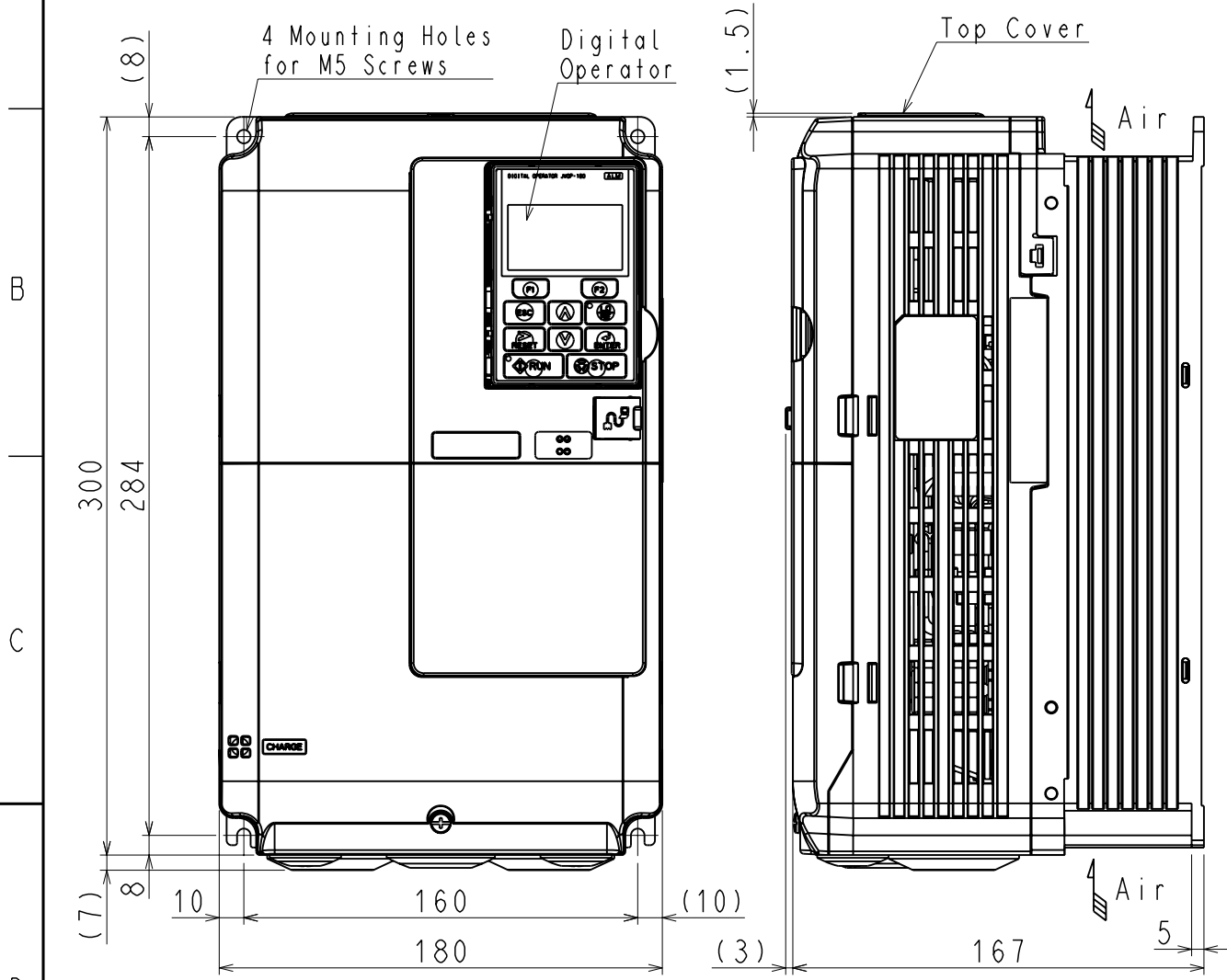


DWG. NO. EZZ902061-1/1

Model No.	Max Appli. Motor (kW)		Terminal Symbol			Cooling Fan	Mass (kg)			
	Normal Duty	Heavy Duty	INPUT OUTPUT (MOTOR)							
CIMR-LU4□0024D	-	11	R/L1	S/L2	T/L3	U/T1	V/T2	W/T3	2	5.4

Third Angle Projection  
Dimensions in mm



REVISIONS	SCALE - : -	YASKAWA	DRAW. Nov. 26. 2013 M. Sameshima	TITLE L1000A OPEN CHASSIS TYPE	DWG. NO. EZZ902061	1	REV.		
			CHECK					M. Kojyo	1
			APPR.					M. Kojyo	